

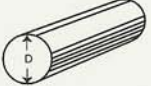
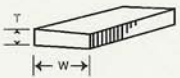
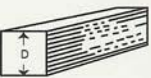
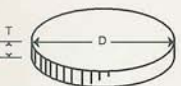
STEEL WEIGHT TABLE

ROUNDS

Estimated Weight, Lbs.			Estimated Weight, Lbs.			Estimated Weight, Lbs.					
Size In Inches	Per Inch	Per Foot	12 Ft. Bar	Size In Inches	Per Inch	Per Foot	12 Ft. Bar	Size In Inches	Per Inch	Per Foot	12 Ft. Bar
1 / 16	.001	.010	.12	1 / 16	.22	2.670	32.04	4	3.56	42.73	512.60
3 / 32	.002	.023	.28	1-1 / 16	.25	3.014	36.17	4-1 / 8	3.79	45.43	545.20
1 / 8	.004	.042	.50	1-1 / 8	.28	3.379	40.55	4-1 / 4	4.02	48.23	578.70
5 / 32	.005	.065	.78	1-3 / 16	.31	3.766	45.19	4-3 / 8	4.26	51.11	613.30
3 / 13	.008	.094	1.13	1-1 / 4	.35	4.173	50.08	4-1 / 2	4.51	54.07	648.90
7 / 32	.011	.128	1.54	1-5 / 16	.38	4.600	55.20	4-5 / 8	4.76	57.12	685.40
1 / 4	.014	.167	2.00	1-3 / 8	.42	5.049	60.59	4-3 / 4	5.03	60.25	723.00
9 / 32	.018	.211	2.53	1-7 / 16	.46	5.518	66.22	4-7 / 8	5.29	63.45	761.50
5 / 16	.022	.261	3.13	1-1 / 2	.50	6.008	72.10	5	5.56	66.75	801.10
11 / 32	.026	.316	3.79	1-9 / 16	.54	6.520	78.24	5-1 / 8	5.84	70.13	841.60
3 / 8	.031	.376	4.51	1-5 / 8	.59	7.051	84.61	5-1 / 4	6.13	73.60	883.20
13 / 32	.037	.441	5.29	1-11 / 16	.64	7.604	91.25	5-3 / 8	6.43	77.15	925.70
7 / 16	.043	.511	6.13	1-3 / 4	.68	8.178	98.14	5-1 / 2	6.73	80.77	969.20
15 / 32	.049	.587	7.04	1-13 / 16	.73	8.773	105.30	5-5 / 8	7.04	84.48	1013.80
1 / 2	.056	.668	8.02	1-7 / 8	.78	9.388	112.70	5-3 / 4	7.36	88.29	1059.00
17 / 32	.063	.754	9.05	1-15 / 16	.84	10.02	120.20	6	8.01	96.12	1153.50
9 / 16	.070	.845	10.14	2	.89	10.68	128.20	6-1 / 8	8.35	100.20	1202.40
19 / 32	.078	.841	11.29	2-1 / 8	1.01	12.06	144.70	6-1 / 4	8.71	104.30	1252.00
5 / 8	.087	1.043	12.52	2-1 / 4	1.13	13.52	162.20	6-1 / 2	9.40	112.80	1353.80
21 / 32	.096	1.150	13.80	2-3 / 8	1.26	15.06	180.70	6-3 / 4	10.14	121.70	1460.00
11 / 16	.105	1.262	15.14	2-1 / 2	1.39	16.69	200.30	7	10.90	130.80	1570.80
23 / 32	.115	1.379	16.55	2-5 / 8	1.54	18.40	220.80	7-1 / 4	11.70	140.40	1684.10
3 / 4	.125	1.502	18.02	2-3 / 4	1.69	20.20	242.40	7-1 / 2	12.52	150.20	1802.20
25 / 32	.136	1.630	19.56	2-7 / 8	1.84	22.07	264.80	7-3 / 4	13.36	160.40	1924.40
13 / 16	.147	1.763	21.16	3	2.01	24.03	288.40	8	14.24	170.90	2050.60
27 / 32	.158	1.901	22.81	3-1 / 8	2.18	26.08	312.90	8-1 / 4	15.14	181.70	2180.70
7 / 8	.170	2.044	24.53	3-1 / 4	2.36	28.21	338.50	8-1 / 2	16.08	192.90	2315.00
29 / 32	.183	2.193	26.32	3-3 / 8	2.54	30.42	365.00	8-3 / 4	17.04	204.50	2453.10
15 / 16	.196	2.347	28.16	3-1 / 2	2.73	32.71	392.50	9	18.02	216.30	2595.20
31 / 32	.209	2.506	30.07	3-5 / 8	2.93	35.09	421.10	9-1 / 4	19.04	228.50	2741.40
				3-3 / 4	3.14	37.55	450.60	9-1 / 2	20.08	241.00	2891.60
				3-7 / 8	3.35	40.10	481.20	9-3 / 4	21.15	253.80	3045.80
								10	22.25	267.00	3204.00

WEIGHT FORMULAS

Steel bar weights are based on .2836 lb. per cubic inch. Aluminum weights are based on .098 lb. per cubic inch, which applies to 1100 alloy.

<p>ROUNDS</p>  <p>Steel: Lbs. per lineal foot = $2.6729 \times D^2$ Lbs. per lineal inch = $.22274 \times D^2$</p> <p>Aluminum: Lbs. per lineal foot = $.924 \times D^2$ D = Size in inches</p>	<p>FLATS</p>  <p>Steel: Lbs. per lineal foot = $3.4032 \times T \times W$ Lbs. per lineal inch = $.2836 \times T \times W$</p> <p>Aluminum: Lbs. per lineal foot = $1.18 \times T \times W$ T = Thickness in inches W = Width in inches</p>	<p>SQUARES</p>  <p>Steel: Lbs. per lineal foot = $3.4032 \times D^2$ Lbs. per lineal INCH = $.2836 \times D^2$</p> <p>Aluminum: Lbs. per lineal foot = $1.18 \times D^2$ D = Size in inches</p>	<p>CIRCLES</p>  <p>Steel: Wt. of Circle in Lbs. = $.22274 \times T \times D^2$</p> <p>Aluminum: Wt. of Circle in Lbs. = $.077 \times T \times D^2$</p> <p>D = Diameter in inches T = Thickness in inches</p>
--	--	---	--